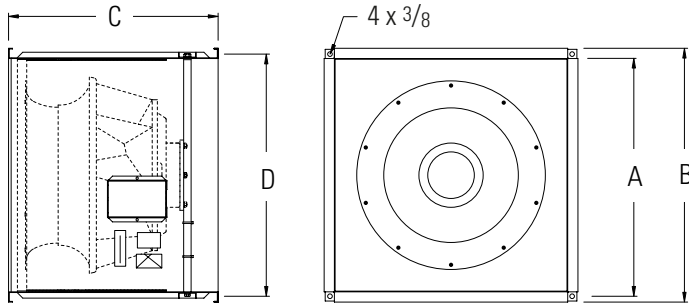


FSD Series

Inline Mixed Flow Square Fans



STANDARD FEATURES

- Galvanized steel housing
- Powered by external rotor motorized mixed flow impeller
- Permanently lubricated sealed ball bearings
- 100% speed controllable
- Automatic reset thermal overload protection
- Prewired electrical box
- Three-year factory warranty

Model	A	C	Metal Gauge	Weight
FSD 18	17 ⁵ / ₈	15 ³ / ₄	16	55
FSD 20	19 ³ / ₄	17 ³ / ₄	16	65
FSD 22	21 ¹ / ₂	19	16	95
FSD 26	26	20	16	135

All dimensions in inches. Weights in pounds.



Fantech Inc. certifies that the FSD Series shown herein is licensed to bear the AMCA Seal. The ratings shown are based on tests and procedures performed in accordance with AMCA Publication 211 and AMCA Publication 311 and comply with the requirements of the AMCA Certified Ratings Program.

Fan Specifications							Motor Specifications				
Line	Qty	Model No.	Tag	CFM	SP	Fan RPM	Watts	Volts	Phase	Hertz	Encl
1											
2											
3											
4											

Accessory Items	1	2	3	4	Accessory Items	1	2	3	4
<input type="checkbox"/>					<input type="checkbox"/>				
<input type="checkbox"/>					<input type="checkbox"/>				
<input type="checkbox"/>					<input type="checkbox"/>				
<input type="checkbox"/>					<input type="checkbox"/>				

Project: _____ Submitted: _____
 Customer: _____ Approved: _____
 Location: _____