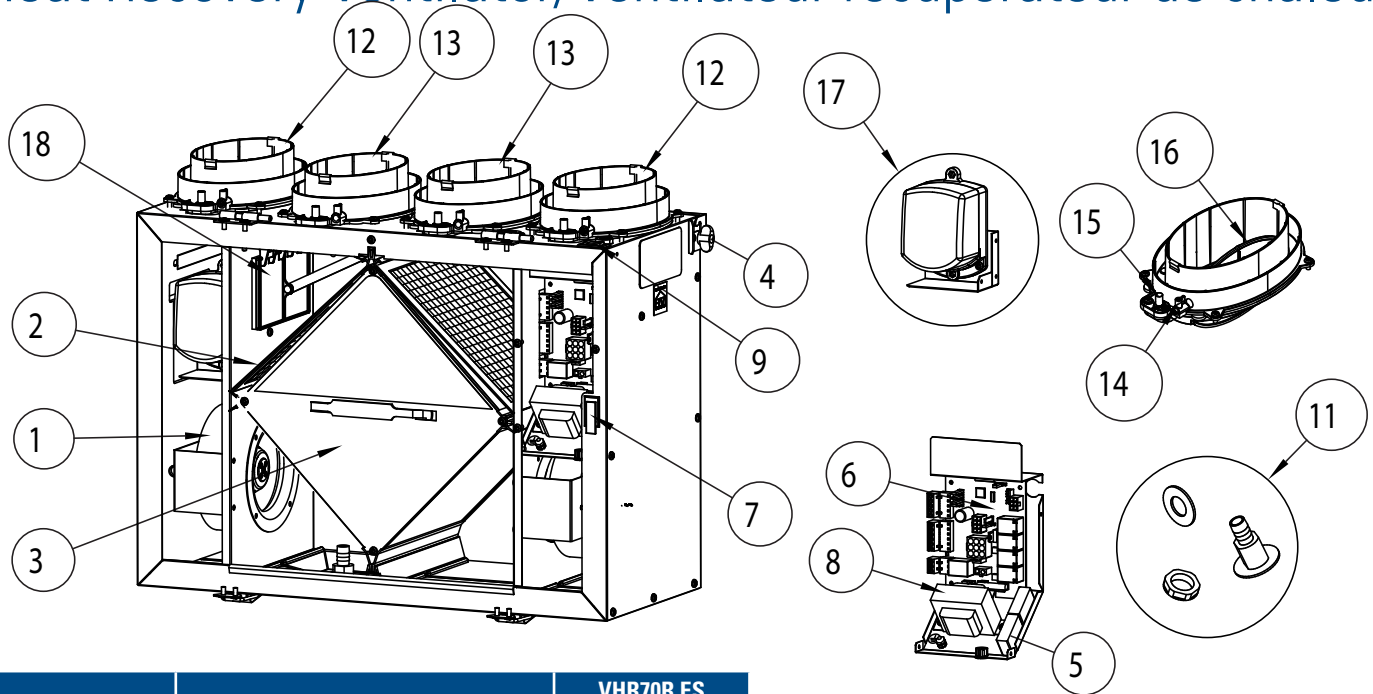


VHR70R ES

Heat Recovery Ventilator/Ventilateur récupérateur de chaleur



BOM #	Description	VHR70R ES (99211)
1	Motor, R2E 133 Radical replacement kit	420307
2	Electrostatic Filters Kit 8" x 8.3"	405116
3	Heat Recovery Cell	427560
4	Wing Screw 10-32	412070
5	Capacitors 5uF	410220
6	Kit,PCB Replacement,Board,EC	422677
7	Door Switch	410867
8	Auto-Transformer	411963
9	Control Switch	410213
11	Kit Drain Plug	40315
12	Collar 5", Oval, w/Stop	412826
13	Collar 5", Oval, wo/Stop	412827
14	Screw, Set, Slotted, 8-32 x 5/16"	412836
15	Cap, w/Tab, Plastic, tapered	412839
16	Damper, 5", Oval	412831
17	Damper Motor Assy, Repl.	427379
18	Damper door, Defrost, Repl Kit	405600
	Temperature Probe	40286
	Door Assembly (Plastic hinges)	420438
	Door Assembly (Metal hinges)	426617
	Kit, Chain	404261
	Kit, Wall Bracket	409722
	Wiring Diagram	427570
	Installation Manual	427565