

HP190SL

Slimline Radon Fans

Product #: 40564



Fantech has utilized its twenty years of experience as a radon fan manufacturer to develop the new HP190SL. This new fan features a patent-pending design starting from its outward low profile appearance to the high efficiency, continuous duty ebm-papst motor and integrated condensate bypass system.

Radon mitigators will appreciate the ease of its direct wall-mount design that eliminates the need for elbows and reduces labor costs.

Features

- Constructed from durable, UV resistant polycarbonate
- Factory sealed, no leak design
- Integral condensate bypass
- Direct wall-mount with integral vibration isolation
- Cabinet is paintable to match external decor. And include masking seal for non-paintable logo medallion.
- Weighs 12 lbs (5 Kg)

Specifications

- Duct size – 4" (102 mm)
- Voltage/Phase – 120/1
- Power rated – 88 W
- Amp – 0.78 A

The HP190SL is engineered specifically for the demanding environments of radon mitigation applications.

Low profile, wall-mount design minimizes installation time.

Fan and discharge pipe are located on surface of exterior wall eliminating need for elbows.

Fan connects directly to low pressure pipe opening on exterior wall.

Motors

- High efficiency, continuous duty ebm-papst motor.
- Non-overloading motorized impeller.
- Built-in thermal overload protection.

Case

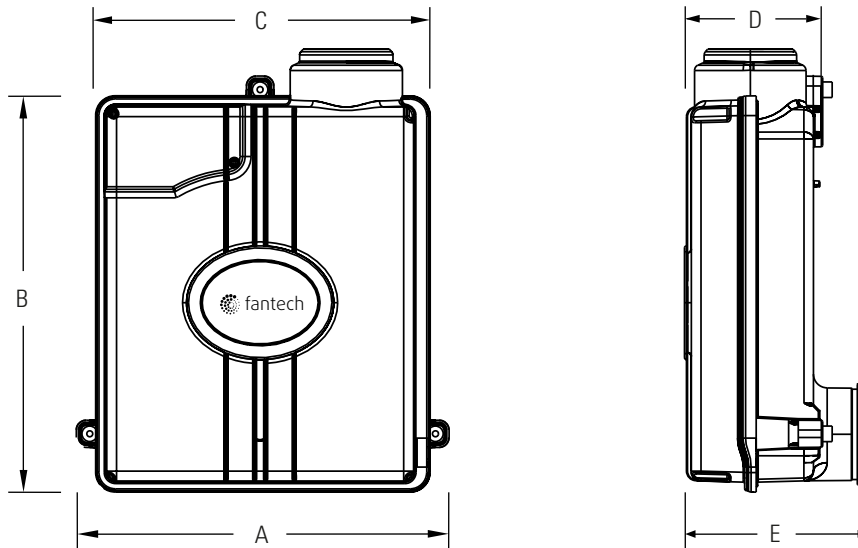
- Constructed from durable, UV resistant polycarbonate.
- Factory sealed, no leak design.
- Integral condensate bypass.
- Direct wall-mount with integral vibration isolation.

Warranty

5 year warranty.



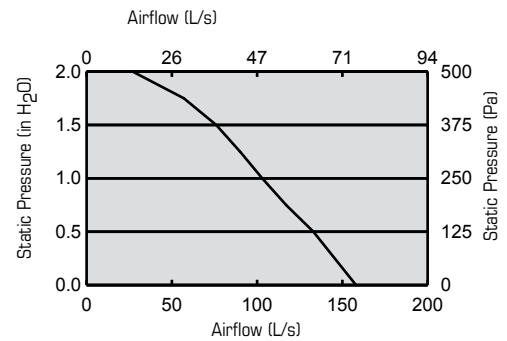
Dimensions & Airflow



Model	A		B		C		D		E	
	in	mm	in	mm	in	mm	in	mm	in	mm
HP 190SL	14 15/16	380	15 7/8	404	13 7/16	341	5 1/16	129	7 3/16	182

Ventilation Performance

in. wg. (Pa)	0.0 (0)	0.5 (125)	1.0 (250)	1.5 (375)	2.0 (500)
	cfm (L/s)	cfm (L/s)	cfm (L/s)	cfm (L/s)	cfm (L/s)
Net airflow	158 (75)	133 (63)	103 (49)	76 (36)	27 (13)



Requirements and standards

- Complies with the UL 507 requirements regulating the construction and installation of Electric Fans

Contacts

Submitted by:	Date:
Quantity: Model:	Project #:
Comments:	
Location:	
Architect:	
Engineer:	Contractor:

Distributed by:

United States 10048 Industrial Blvd. • Lenexa, KS 66061 • 1.800.747.1762 • www.fantech.net

Canada 50 Kanalfakt Way • Bouctouche, NB E4S 3M5 • 1.800.565.3548 • www.fantech.net

Fantech, reserves the right to modify, at any time and without notice, any or all of its products' features, designs, components and specifications to maintain their technological leadership position.

